



# PIONEER

Compact,  
Telescopic,  
Easy Moving  
and Powerful

RADIOLOGIA SA

# Fully Digital Integrated

Pioneer is the new digital generation mobile from RADIOLOGIA. It includes optional double TFT screens, totally integrated with the high frequency generator, where the operator will be able to proceed with the exposure, X-Ray image preview and image enhancement tools. This mobile is designed with many advantages compared with other systems:

- Compact Size
- Telescopic Column
- Longest arm travel in the industry
- Most powerful in the market (Up to 50KW)
- Fully motorized
- Proximity sensors
- Highest battery autonomy >8h

Thanks to the great autonomy of this mobile, the operator could work up to 8 hours without recharging. The highest autonomy together with the most compact foot print and the most powerful generator make Pioneer the most reliable X-ray mobile in the industry.

The new mobile Pioneer with telescopic column provides all the state-of-the-art technology used for Radiologia mobiles with new innovations thinking in the patient and the operator: power, reliability, high quality imaging in digital X-ray, coverage and extreme visibility.





## TELESCOPIC COLUMN FOR ADVANCED VISIBILITY

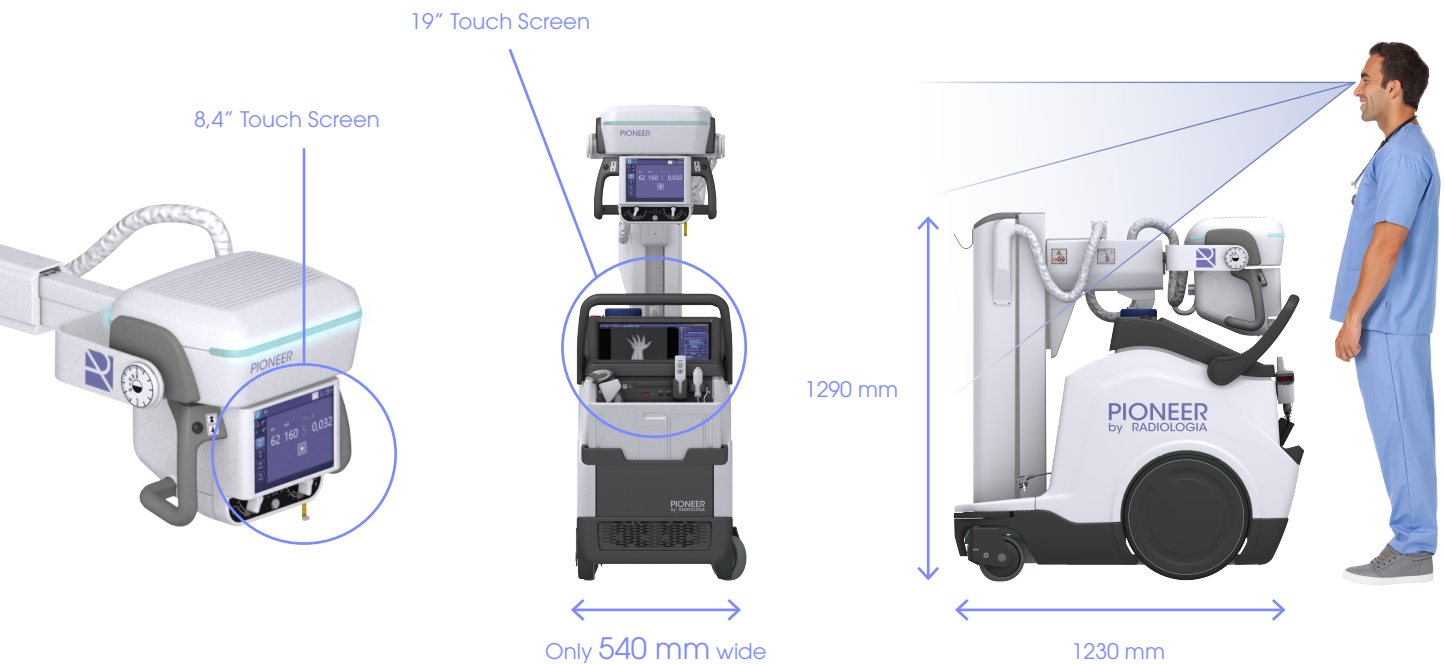
The new generation of Radiologia mobiles with telescopic column solves any kind of obstacle that users and professional could find while they are driving or parking into the clinic.

The new unit provides maximised vision thanks to the telescopic column and the ergonomic design. Nurses and doctors will be able to access any location at the hospital in a comfortable and safety way.

## THE MOST COMPACT AND POWERFUL MOBILE

This mobile has been designed with a brilliant compact size, which improves maneuverability and access points in any clinic room. Thanks to the "Easy driven, easy rotation and easy extension", the level of mobility and coverage of patient is maximum.

Pioneer is the most powerful high frequency generator mobile in the market, with a range from 20kw to 50kw Nominal power. The proven reliability of these generators assures the highest accuracy and constant performing during the whole day.



## HIGHLY CONFIGURABLE FOR TOP FLEXIBILITY

Pioneer mobile is integrated with wireless detectors and Canon or Primos image acquisition software that integrates x-ray generator control, positioning and acquisition.

Provided with the new 19" Touch Screen and multitouch option. It enables an immediate image preview by the patient to be sent to the PAC.

Charging detector batteries can be included directly in the mobile. Also the system offers multiple possibilities to connect external devices for diagnostic.

**Second Touch Screen 8.4" (Optional).** Direct access to radiographic and collimator parameters in case of the need of re-adjustment (according to the patient type), improving the workflow by avoiding the physical movement to the main screen of the unit or closest workstation.

# PIONEERS IN RADIOLOGY SINCE 1947

## A NETWORK OF SERVICE + SUPPORT

Enjoy all the advantages of our successful service network. From the first shot to the last managed image, we work to continually improve your team's performance, helping you innovate as needs evolve and take advantage of to the maximum of budget and resources.

Radiologia SA's successful service network surrounds you with a dynamic team of exceptional experts. Your organization and your patients will benefit from the experience and best practices that only Radiologia SA can offer, based on thousands of customer contracts worldwide and our heritage of 80 years of innovation in diagnostic imaging.



CAT\_001\_RAD\_20\_EN\_PIONEER



info@radiologia-sa.com  
+34 91 628 0544  
C/ Pelaya, 13. Pol. Ind. Río de Janeiro  
28110 Algete, Madrid (Spain)



www.radiologia-sa.com

